



[schenkerstoren.com](https://www.schenkerstoren.com)

# Blinds for the Garden and Terrace

**Schenker**  
**Storen**



# Contents

---

## **Sun Blinds, Awnings**

- 4 Balcony awning BGM 6
- 5 Standard awning NGM 20
- 6 Semi-cassette awning CGM 5
- 7 Cassette awnings KGM 5/6
- 8 Cassette awnings KGM 20

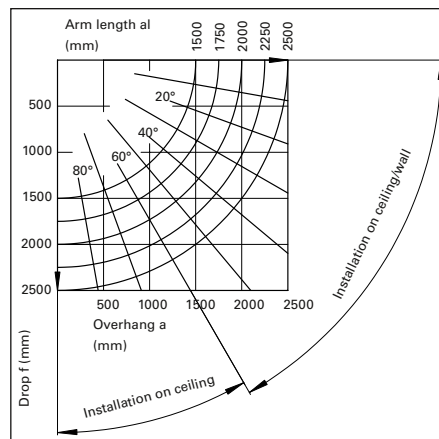
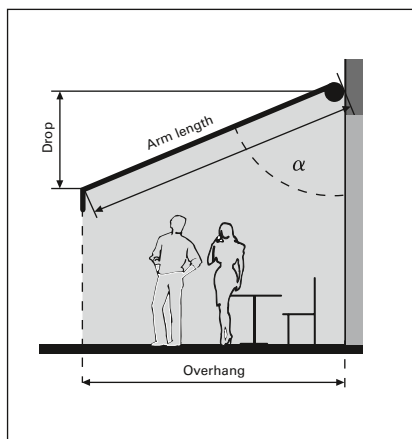
# BGM 6

## Limiting dimensions (mm)

Arm length	Width bk max.	Width bk min.
1500	6000	1840
1750	6000	2070
2000	6000	2320
2250	6000	2540
2500	6000	2830

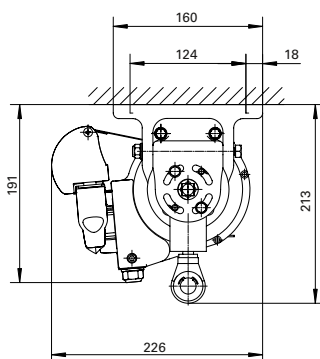
Construction width (bk) – 19 cm = width of fabric

## Illustration of drop

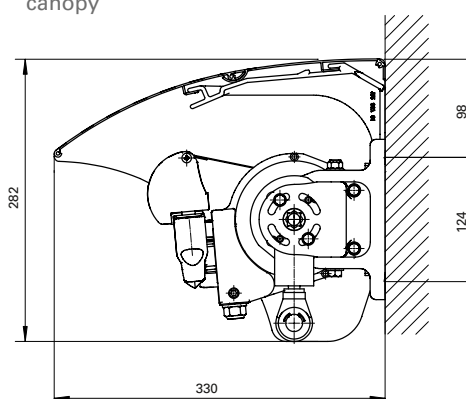


The overhang depends on the arm length and mounting bracket  $\alpha$ .

## Installation on ceiling



## Installation on wall with optional canopy



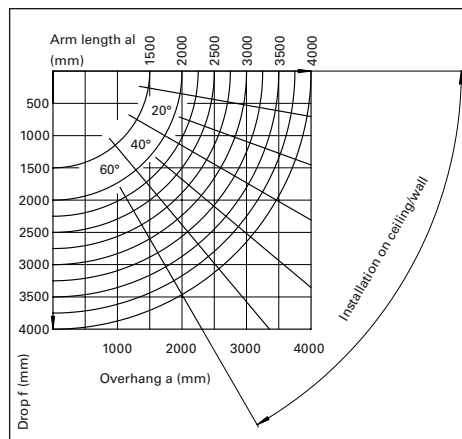
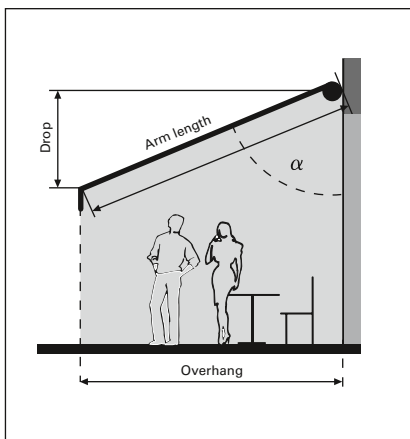
## Limiting dimensions (mm)

Arm length		Width bk max.		Width bk min.	
2 arms	4 arms	6 arms	8 arms	All variants	
1500	6000	12000	18000	20000	1930
1750	6000	12000	18000	20000	2170
2000	6000	12000	18000	20000	2410
2250	6000	12000	18000	20000	2650
2500	6000	12000	18000	20000	2930
2750	6000	12000	18000	20000	3170
3000	6000	12000	18000	20000	3410
3250	6000	12000	18000	20000	3650
3500	6000	12000	18000	20000	3890
4000	6000	12000	18000	20000	4560

Construction width (bk) – 15 cm = width of fabric

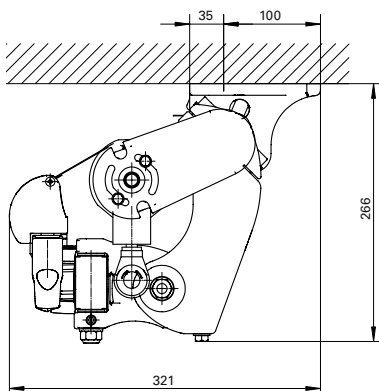
Valance can be lowered max. 1.2m, width up to 6 metres and a 3-metre overhang, manual drive

## Illustration of drop

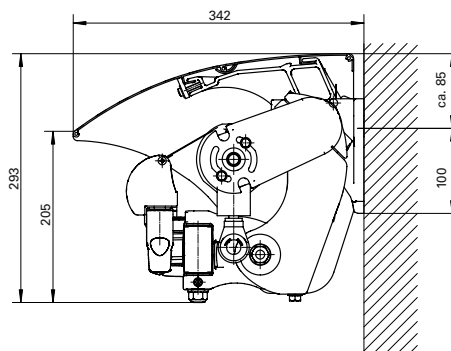


The overhang depends on the arm length and mounting bracket  $\alpha$ .

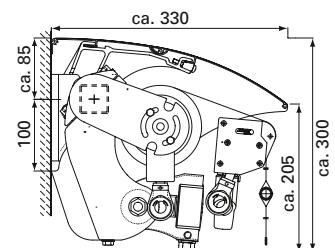
Installation on ceiling



Installation on wall with optional canopy



Installation on wall with retractable valance



# CGM 5

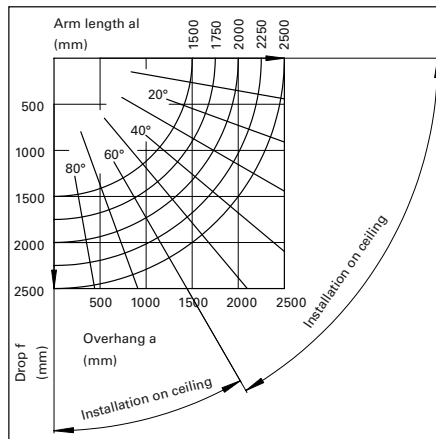
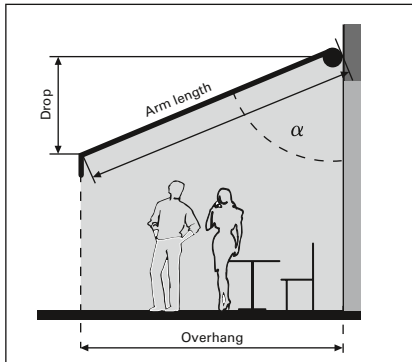
## Limiting dimensions (mm)

Arm length	Width bk max.	Width bk min.
1500	5000	1840
1750	5000	2070
2000	5000	2320
2250	5000	2540
2500	5000	2830

Motor drive: construction width (bk) – 19 cm = width of fabric

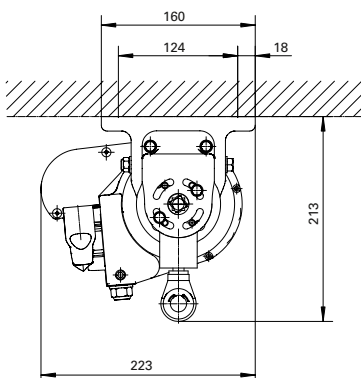
Manual drive: construction width (bk) – 20.5 cm = width of fabric

## Illustration of drop

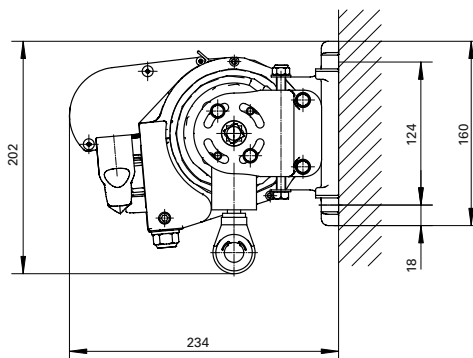


The overhang depends on the arm length and mounting bracket  $\alpha$ .

## Installation on ceiling



## Installation on wall



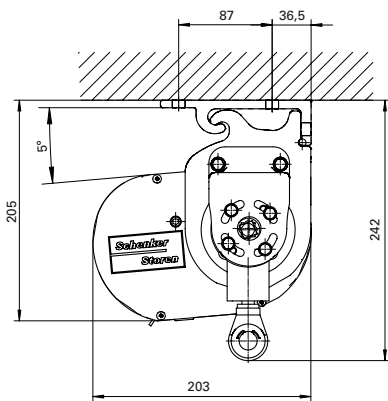
# KGM 5 / KGM 6

## Limiting dimensions (mm)

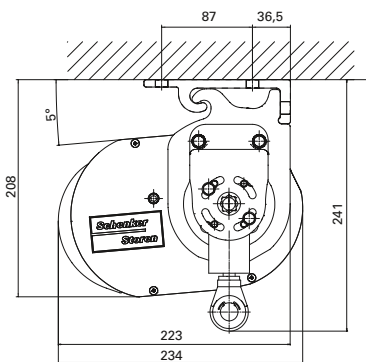
Arm length	KGM 5		KGM 6	
	max.	min.	max.	min.
1500	5000	1840	6000	1910
1750	5000	2080	6000	2150
2000	5000	2310	6000	2380
2250	5000	2550	6000	2620
2500	5000	2840	6000	2910
2750			6000	3150
3000			6000	3400
3250			6000	3640
3500			6000	3880
4000			6000	4380

Motor drive: construction width (bk) – 18 cm = width of fabric  
 Manual drive: construction width (bk) – 19.5 cm = width of fabric

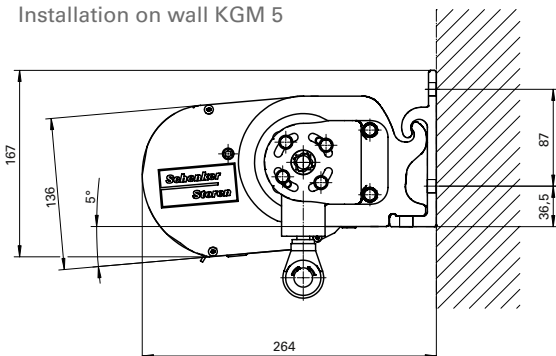
### Installation on ceiling KGM 5



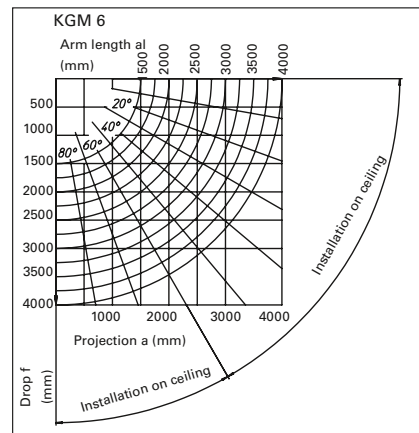
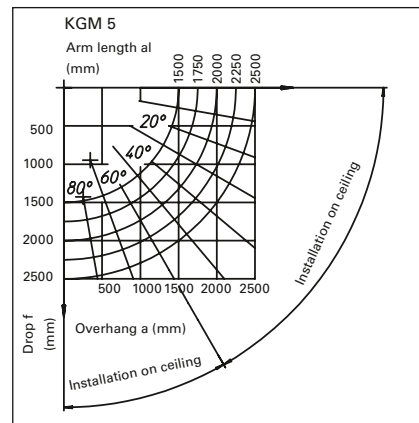
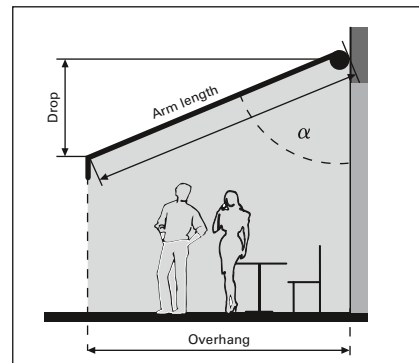
### Installation on ceiling KGM 6



### Installation on wall KGM 5

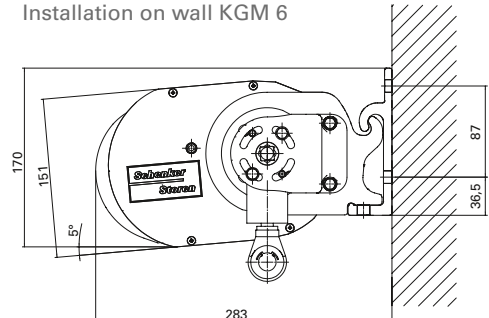


## Illustration of drop



The overhang depends on the arm length and mounting bracket  $\alpha$ .

### Installation on wall KGM 6



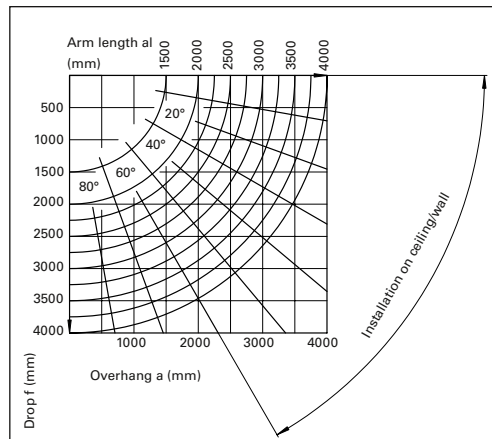
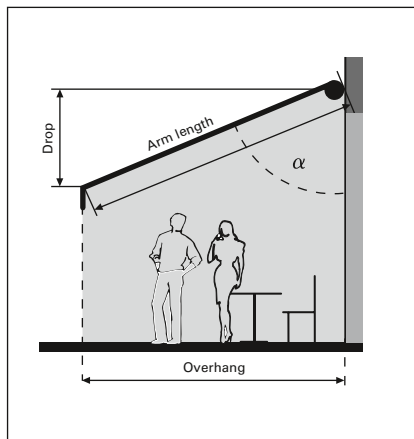
# KGM 20

## Limiting dimensions (mm)

Arm length	Width bk max.			Width bk min.		
	4 arms	6 arms	8 arms	4 arms	6 arms	8 arms
1500	12100	18200	20000	6000	12100	18200
1750	12100	18200	20000	6000	12100	18200
2000	12100	18200	20000	6000	12100	18200
2250	12100	18200	20000	6000	12100	18200
2500	12100	18200	20000	6140	12100	18200
2750	12100	18200	20000	6620	12100	18200
3000	12100	18200	20000	7130	12100	18200
3250	12100	18200	20000	7610	12100	18200
3500	12100	18200	20000	8100	12180	18200
4000	12100	18200	20000	9100	13640	18200

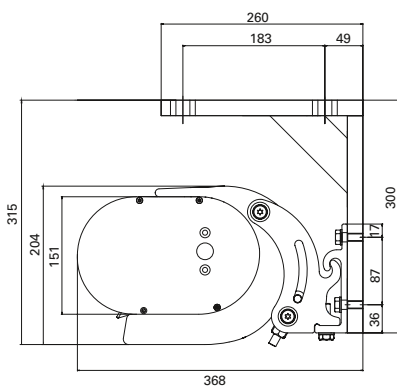
Construction width (bk) – 10 cm = width of fabric

## Illustration of drop



The overhang depends on the arm length and mounting bracket  $\alpha$ .

## Installation on ceiling



## Installation on wall

